

## SAVERLINE

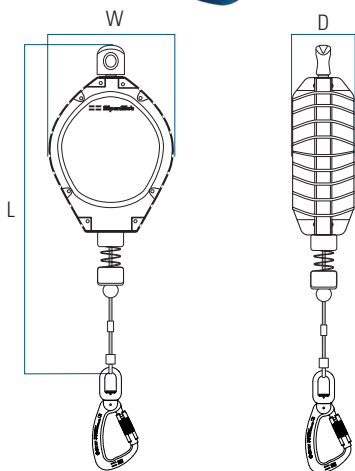
Height Safety  
Lifting  
Load Control  
Safety Management

**Saverline - SRL SDE P S 3 ATA**

The Saverline - SRL SDE P S 3 ATA, plastic housed fall arrest block is a sturdy, low maintenance device fitted with a steel rope. The attachment anchorage point on the fall arrest block is a cast aluminium swivel eye  $\varnothing 16\text{mm}$ , suitable for connection via a Standard Karabiner type connector, or a Standard Karabiner type connector with an Anchorage Sling. The lifeline in this fall arrest block has been tested in a simulated fall over an edge and passed VG11 CNB/P/11.060 additional test requirements for EN360. However, not all «edges» will react in the same way as the tested steel edge, so when using this fall arrest block, every effort must be made to ensure that in the event of an arrested fall, the lifeline does not pass over an edge.

<b>Lifeline Material</b>	Galvanised Steel Cable
<b>Lifeline Length</b>	3 m
<b>Lifeline Width</b>	$\varnothing 4.8\text{ mm}$
<b>Attachment point</b>	Swivel eye attachment point $\varnothing 16\text{ mm}$
<b>Weight</b>	1.9 kg
<b>Capacity Load</b>	136 kg
<b>Dimensions (L x W x D)</b>	390 x 104 x 78 mm
<b>Anchor Hook</b>	2002256
<b>Connection</b>	2002205
<b>Arrest Force</b>	< 6 kN
<b>Edge Tested</b>	CNB/P/11.060 ( $r \geq 0,5\text{ mm}$ ) + ANSI/ASSE Z 359.14-2014 ( $r \geq 0,13\text{ mm}$ )
<b>Body Material (ext)</b>	Plastic
<b>Chassis Material (int)</b>	Steel
<b>Certification</b>	EN 360, ANSI/ASSE Z359.1-2007, ANSI/ASSE Z359.14-2014 *1
<b>Temperature range</b>	-40° C to + 50° C
<b>Lifespan</b>	10 Years

\*1 CSAZ259.2.2 only with French Label available

**Saverline - SRL SDE P S 3 ATA**

<b>Global Item Number</b>	2002107
<b>EAN Code</b>	7610726103973
<b>Package Contents</b>	Manual with SpanSet-Design

## SAVERLINE

Height Safety  
Lifting  
Load Control  
Safety Management

**Saverline - SRL SDE P S 6 ATA**

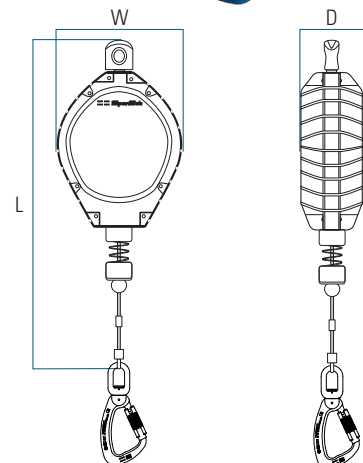
The Saverline - SRL SDE P S 6 ATA, plastic housed fall arrest block is a sturdy, low maintenance device fitted with a steelrope. The attachment anchorage point on the fall arrest block is a cast aluminium swivel eye  $\varnothing 16\text{mm}$ , suitable for connection via a Standard Karabiner type connector, or a Standard Karabiner type connector with an Anchorage Sling. The lifeline in this fall arrest block has been tested in a simulated fall over an edge and passed VG11 CNB/P/11.060 additional test requirements for EN360. However, not all «edges» will react in the same way as the tested steel edge, so when using this fall arrest block, every effort must be made to ensure that in the event of an arrested fall, the lifeline does not pass over an edge.

<b>Lifeline Material</b>	Galvanised Steel Cable
<b>Lifeline Length</b>	6 m
<b>Lifeline Width</b>	$\varnothing 4.8\text{ mm}$
<b>Attachment point</b>	Swivel eye attachment point $\varnothing 16\text{ mm}$
<b>Weight</b>	2.5 kg
<b>Capacity Load</b>	136 kg
<b>Dimensions (L x W x D)</b>	420 x 145 x 80 mm
<b>Anchor Hook</b>	2002256
<b>Connection</b>	2002205
<b>Arrest Force</b>	< 6 kN
<b>Edge Tested</b>	CNB/P/11.060 ( $r \geq 0,5\text{ mm}$ ) + ANSI/ASSE Z 359.14-2014 ( $r \geq 0,13\text{ mm}$ )
<b>Body Material (ext)</b>	Plastic
<b>Chassis Material (int)</b>	Steel
<b>Certification</b>	EN 360, ANSI/ASSE Z359.1-2007, ANSI/ASSE Z359.14-2014 *1
<b>Temperature range</b>	$-40^{\circ}\text{ C}$ to $+50^{\circ}\text{ C}$
<b>Lifespan</b>	10 Years

\*1 CSAZ259.2.2 only with French Label available

**Saverline - SRL SDE P W 6 ATA**

<b>Global Item Number</b>	2002109
<b>EAN Code</b>	7610726103997
<b>Package Contents</b>	Manual with SpanSet-Design



## SAVERLINE

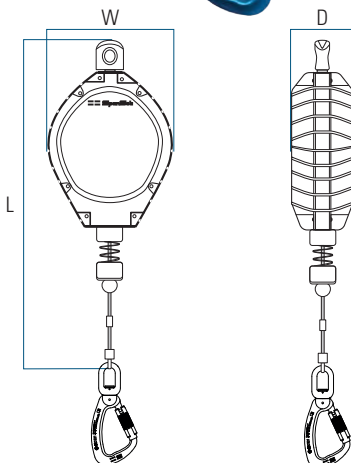
Height Safety  
Lifting  
Load Control  
Safety Management

**Saverline - SRL SDE P S 12 ATA**

The Saverline - SRL SDE P S 12 ATA, plastic housed fall arrest block is a sturdy, low maintenance device fitted with a steel rope. The attachment anchorage point on the fall arrest block is a cast aluminium swivel eye  $\varnothing 16\text{mm}$ , suitable for connection via a Standard Karabiner type connector, or a Standard Karabiner type connector with an Anchorage Sling. The lifeline in this fall arrest block has been tested in a simulated fall over an edge and passed VG11 CNB/P/11.060 additional test requirements for EN360. However, not all «edges» will react in the same way as the tested steel edge, so when using this fall arrest block, every effort must be made to ensure that in the event of an arrested fall, the lifeline does not pass over an edge.

<b>Lifeline Material</b>	Galvanised Steel Cable
<b>Lifeline Length</b>	12 m
<b>Lifeline Width</b>	$\varnothing 4.8\text{ mm}$
<b>Attachment point</b>	Swivel eye attachment point $\varnothing 16\text{ mm}$
<b>Weight</b>	4,9 kg
<b>Capacity Load</b>	136 kg
<b>Dimensions (L x W x D)</b>	500 x 195 x 95 mm
<b>Anchor Hook</b>	2002256
<b>Connection</b>	2002205
<b>Arrest Force</b>	< 6 kN
<b>Edge Tested</b>	CNB/P/11.060 ( $r \geq 0,5\text{ mm}$ ) + ANSI/ASSE Z 359.14-2014 ( $r \geq 0,13\text{ mm}$ )
<b>Body Material (ext)</b>	Plastic
<b>Chassis Material (int)</b>	Steel
<b>Certification</b>	EN 360, ANSI/ASSE Z359.1-2007, ANSI/ASSE Z359.14-2014 *1
<b>Temperature range</b>	-40° C to + 50° C
<b>Lifespan</b>	10 Years

\*1 CSAZ259.2.2 only with French Label available

**Saverline - SRL SDE P S 12 ATA**

<b>Global Item Number</b>	2002111
<b>EAN Code</b>	7610726104109
<b>Package Contents</b>	Manual with SpanSet-Design



## SAVERLINE

Height Safety  
Lifting  
Load Control  
Safety Management

**Saverline - SRL STU A S 18 ATA**

The Saverline - SRL AS Series, aluminium housed fall arrest block is a sturdy, low maintenance device fitted with a steelrope. The attachment anchorage point on the fall arrest block is an open steel handle, suitable for connection via a Large Karabiner type connector, or a Standard Karabiner type connector with an Anchorage Sling. The lifeline in this fall arrest block has been tested in a simulated fall over an edge and passed VG11 CNB/P/11.060 additional test requirements for EN360. However, not all «edges» will react in the same way as the tested steel edge, so when using this fall arrest block, every effort must be made to ensure that in the event of an arrested fall, the lifeline does not pass over an edge.

<b>Lifeline Material</b>	Galvanised Steel Cable
<b>Lifeline Length</b>	18 m
<b>Lifeline Width</b>	Ø 4.8 mm
<b>Attachment point</b>	Steel Handle
<b>Weight</b>	9.5 kg
<b>Capacity Load</b>	136 kg
<b>Dimensions (L x W x D)</b>	550 x 240 x 100 mm
<b>Anchor Hook</b>	No anchor hook needed
<b>Connection</b>	2002205
<b>Arrest Force</b>	< 6 kN
<b>Edge Tested</b>	CNB/P/11.060 (r = ≥ 0,5 mm) + ANSI/ASSE Z 359.14-2014 (r = ≥ 0,13 mm)
<b>Body Material (ext)</b>	Aluminium
<b>Chassis Material (int)</b>	Stainless Steel
<b>Certification</b>	EN 360, ANSI/ASSE Z359.1-2007, ANSI/ASSE Z359.14-2014 *1
<b>Temperature range</b>	-40° C to + 50° C
<b>Lifespan</b>	10 Years

\*1 CSAZ259.2.2 only with French Label available

**Saverline - SRL STU A S 18 ATA**

<b>Global Item Number</b>	2002362
<b>EAN Code</b>	7610726104307
<b>Package Contents</b>	Manual with SpanSet-Design

